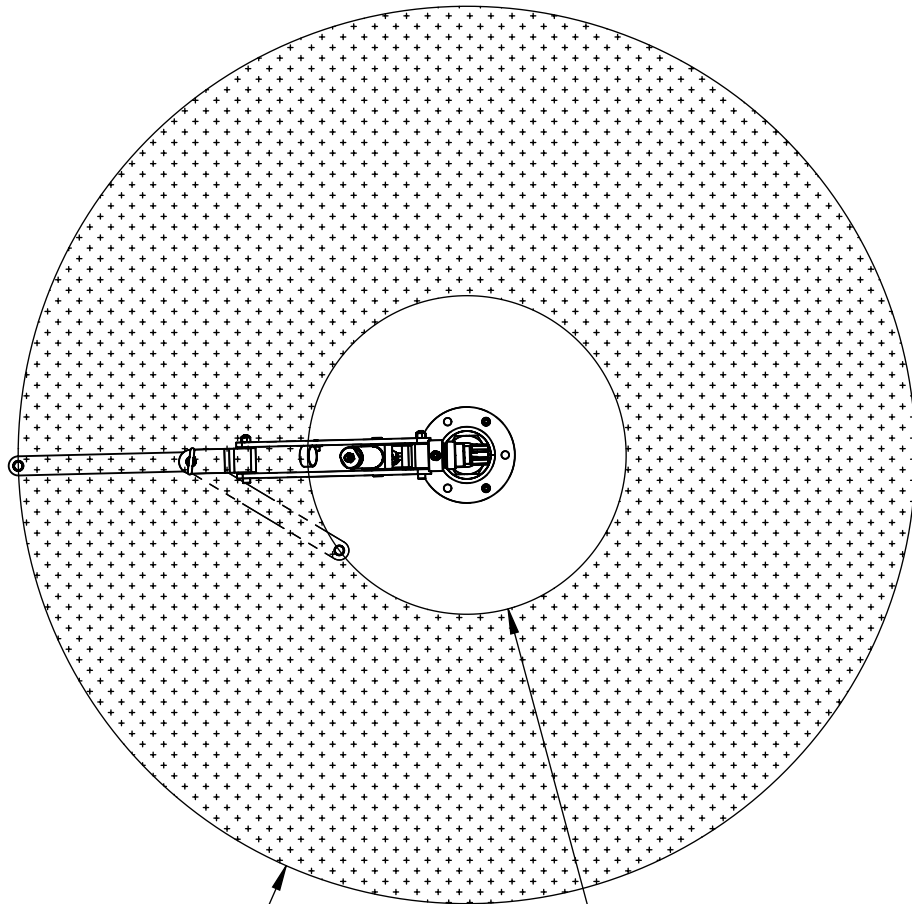
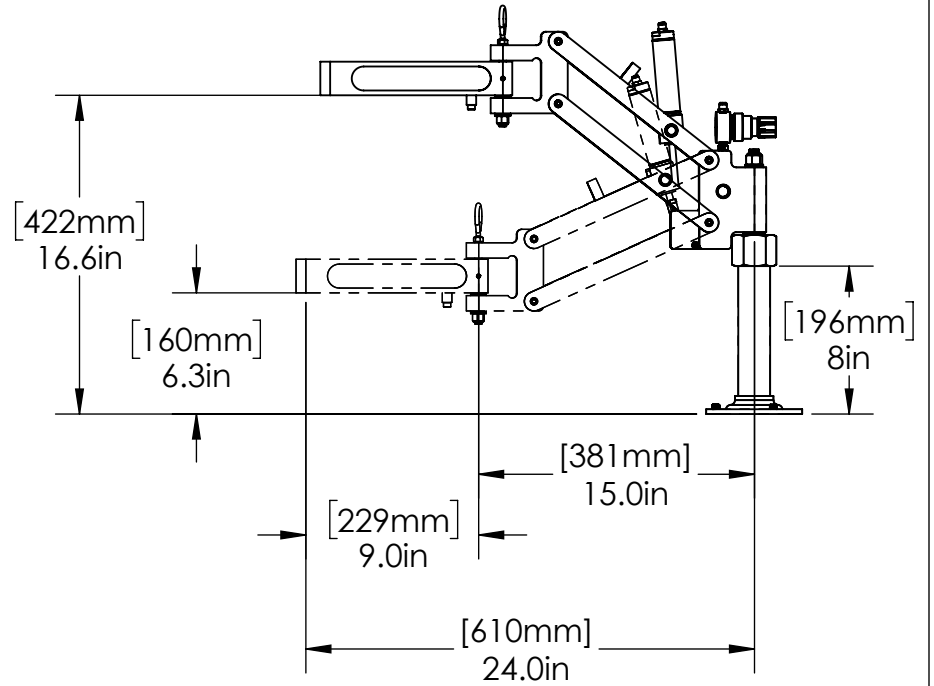


WORK AREA



[1219mm]
Ø 48

MIN. REACH
[421mm]
Ø 17in



www.toolarms.com

ETA
Ergonomic Tool Arms, LLC

MODEL#: EL306-N

A shortened version of model EL506-N with less reach for tighter spaces.

MAX TORQUE: 550 in-lbs (62 N-m)

MAX. TOOLING WEIGHT: 6 lbs (2.7 kg)

COPYRIGHT © 2018 ERGONOMIC TOOL ARMS, LLC