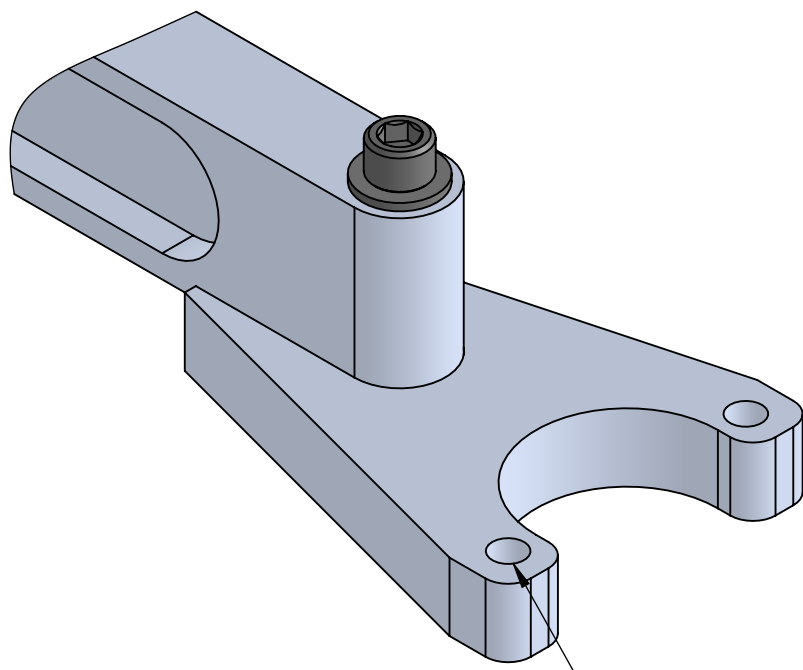


Ø .35in [8.9mm]  
THRU



CUSTOMER'S FLANGED  
TOOL MOUNTS HERE



MODEL#: QE6-TH

Vertical Holder for Ingersoll-Rand QE6, QA6 and some QA4 In-line tools with 2 bolt mounting flange.

COPYRIGHT © 2018 ERGONOMIC TOOL ARMS, LLC