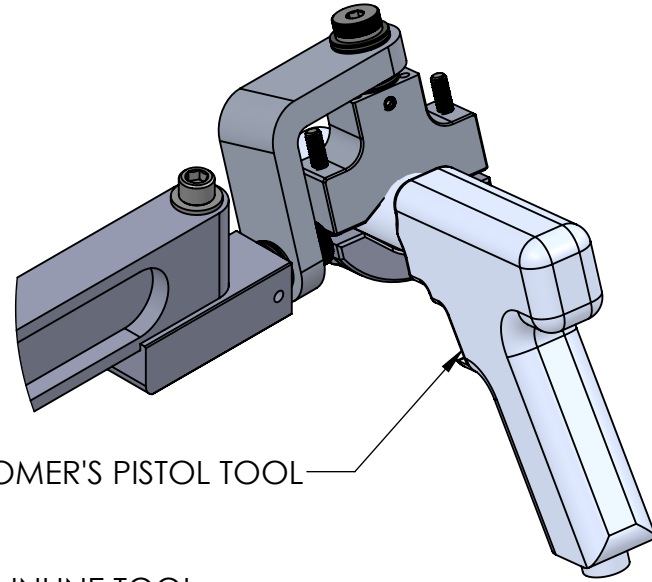
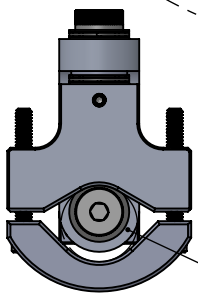


TOOL SWIVELS FREELY ON 2 AXES ENABLING OPERATOR TO FASTEN AT ANY ANGLE WITHOUT FEELING TORQUE REACTION

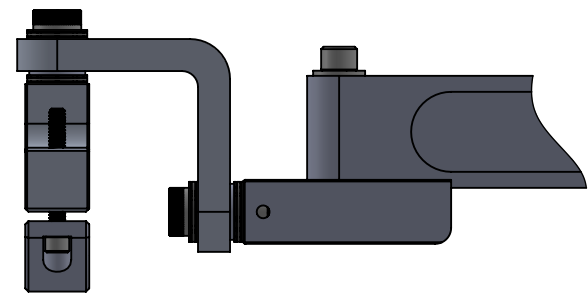
CUSTOMER'S INLINE TOOL



CUSTOMER'S PISTOL TOOL



MINIMUM TOOL DIAMETER:
1-1/8" (28.6mm)
MAXIMUM TOOL DIAMETER:
2.0" (50.8mm)



Model **FR-TH**

Flip and Rotate - Tool Holder

Tool holder with two axis swivel for inline or pistol tools fastening in any direction without torque reaction.

