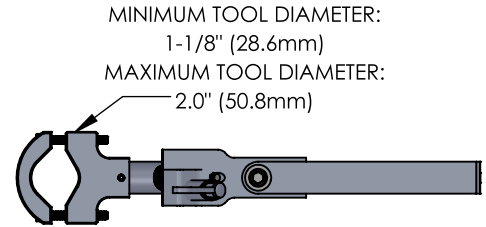
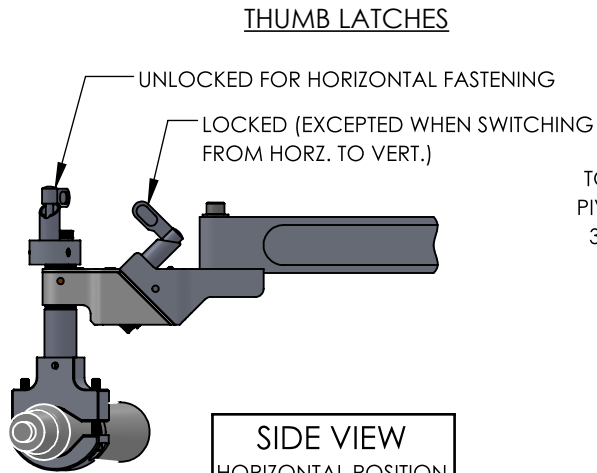
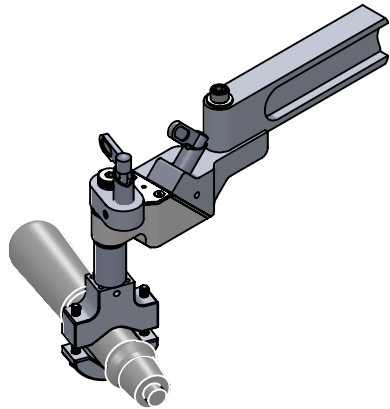


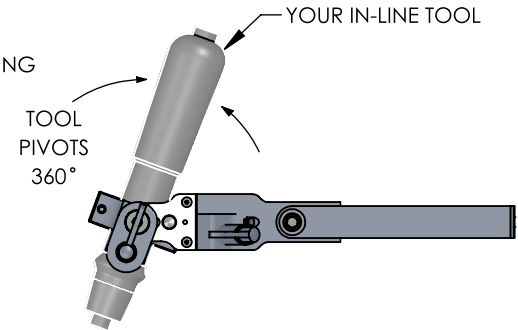
SIDE VIEW
VERTICAL POSITION



OVERHEAD VIEW
VERTICAL POSITION



SIDE VIEW
HORIZONTAL POSITION



OVERHEAD VIEW
HORIZONTAL POSITION



Model **IPHV-TH**

In-line or Pistol
Horizontal and Vertical - Tool Holder

Tool-Holders/IPHV



For driving vertical fasteners and horizontal fasteners in the same work zone using the same In-line or Pistol tool.

This holder weighs 3.2 lbs (1.5 Kg) so it is only compatible with ETA models 815, 1015 or 1025.