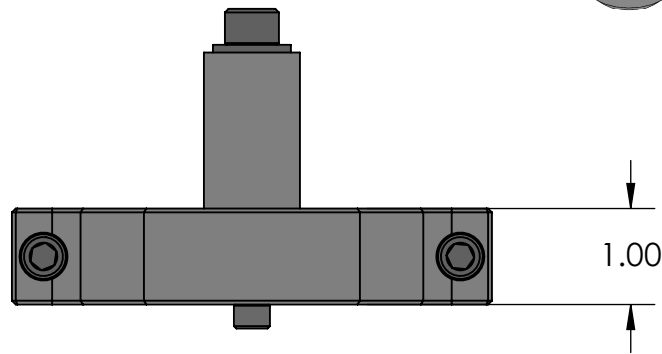
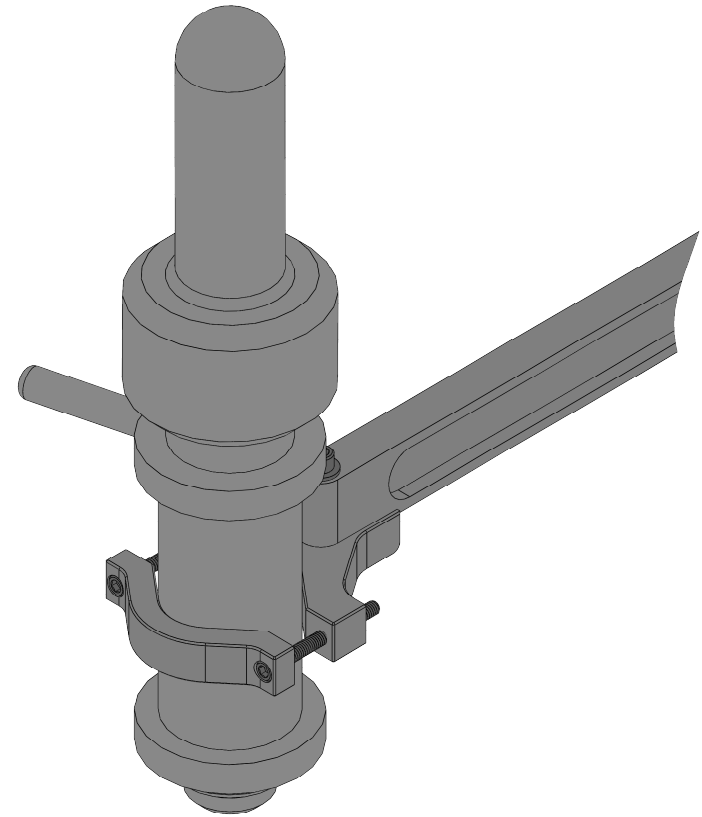


Ø 2.19 TO 4.0
TOOL DIAMETER



Model **LDUV-TH** Large Diameter Universal Vertical - Tool Holder

This Vertical holder is for larger tools and other large components
2.0" (50.8 mm) to 4.0" (101.6 mm) in diameter.

Tool-Holders/LDUV

