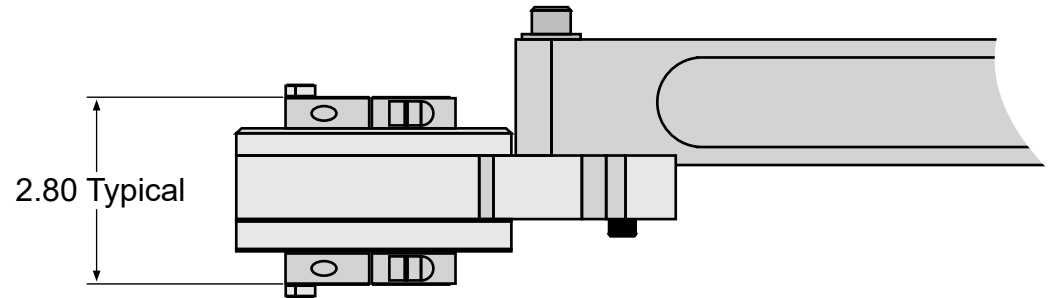
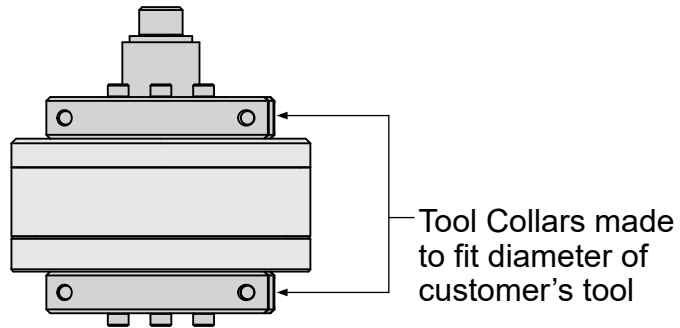
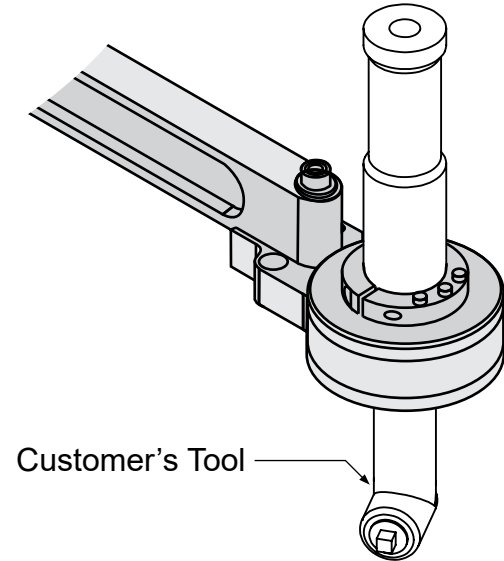
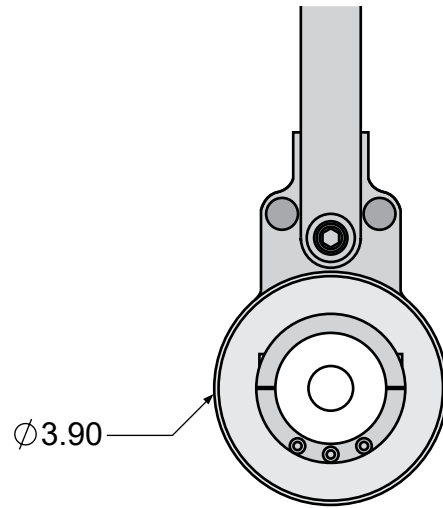




Tool-Holders/NB



MODEL#: NB-TH

Needle Bearing - Tool Holder

This holder is designed for use with Right Angle Drivers so that they can rotate freely to your horizontal fastener alignment without any torque reaction. NB-TH has a large needle bearing assembly, flanked by 2 thrust bearing assemblies and completely encased in a precisely machined aluminum housing with 50mm (1.96") ID clearance for the tool handle.

NB-TH weighs 2.6 lbs (1.18 Kg) so it is compatible with 815, 1015 and 1025 frames only. This holder is semi-custom, typically needing additional engineering for your application. Contact ETA or an ETA Authorized Distributor for more info.

(855) 866-5276

Toolarms.com