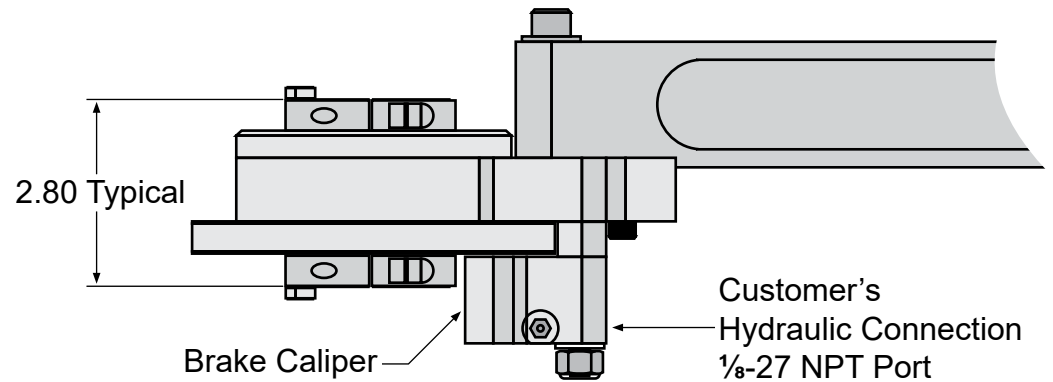
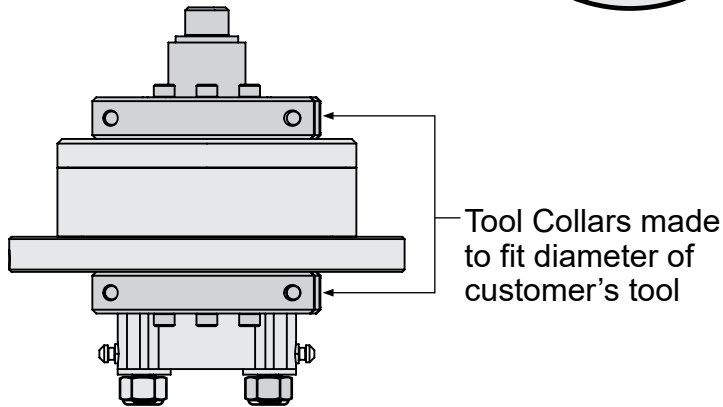
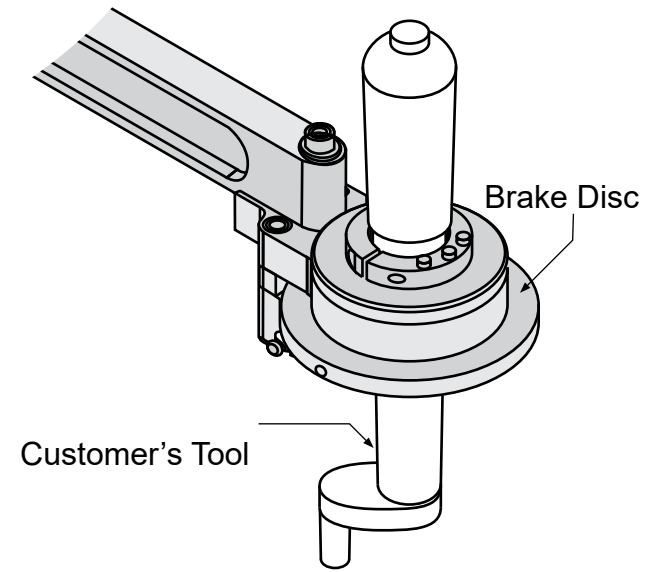
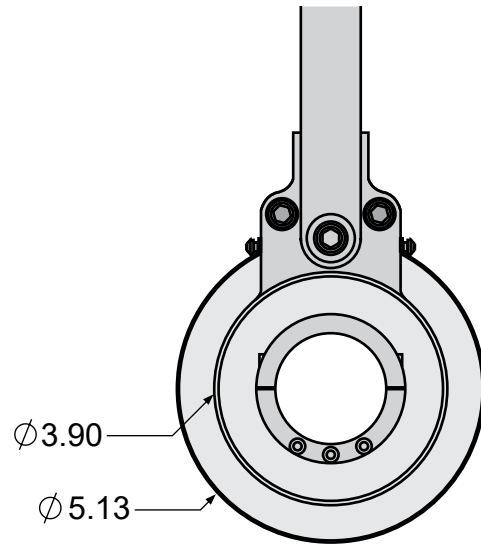




Tool-Holders/NBBR



## MODEL#: NBBR-TH

### Needle Bearing with Brake - Tool Holder

This holder is designed for Inline, Offset, Crows Foot and Right Angle Tools enabling them to rotate freely clamped to a large needle bearing assembly, flanked by 2 thrust bearing assemblies and completely encased in a precisely machined aluminum housing with 50mm (1.96") ID clearance for the tool handle. The single acting hydraulic brake caliper and disc must be supplied by hydraulic fluid at 1000 psi max. The hydraulic pressure to the caliper is typically supplied by a small air to oil intensifier connected to a 24VDC pneumatic solenoid valve controlled by the DC Tool's Controller I/O. Caliper will withstand about 500 in. lbs (42 Nm) maximum torque on inline or offset tools. Torque values would not be applicable if the tool is a Right Angle tool and the brake is set during rundown for stability only.

**NBBR-TH weighs 3.6 lbs (1.63 Kg) so it is compatible with 815, 1015 and 1025 frames only.**

**This holder is semi-custom, typically needing additional engineering for your application.**

**Contact ETA or an ETA Authorized Distributor for more info.**

(855) 866-5276

Toolarms.com