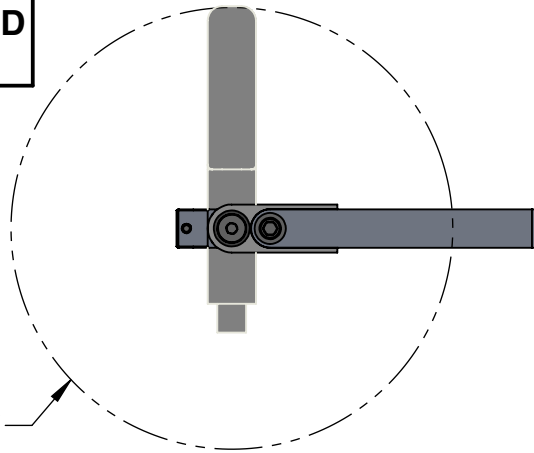
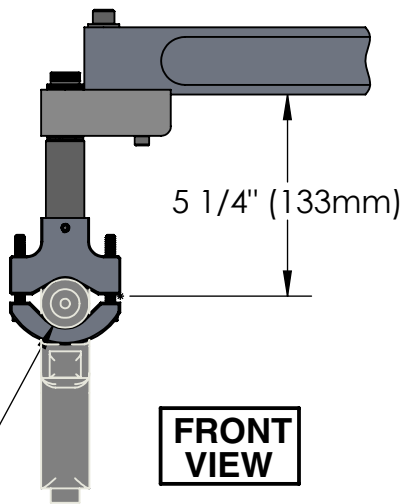
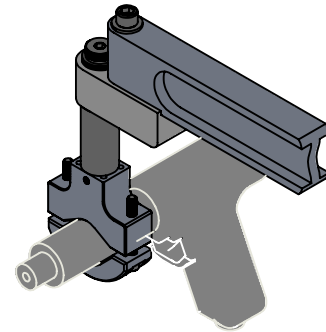


OVERHEAD VIEW

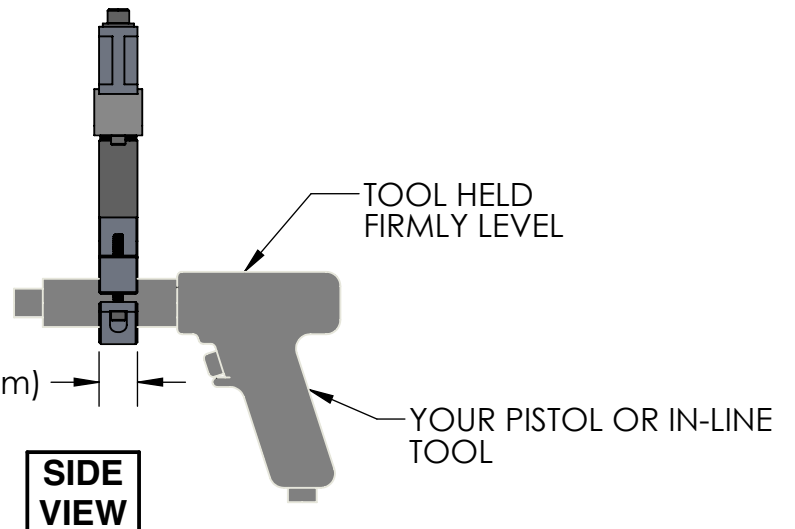


TOOL PIVOTS 360°



MINIMUM TOOL DIAMETER:  
1-1/8" (28.6mm)  
MAXIMUM TOOL DIAMETER:  
2.0" (50.8mm)

FRONT VIEW



SIDE VIEW



Model **PS-TH**

**Pistol Spin - Tool Holder**  
- For Horizontal Fastening

For pistol or Inline tools held on the horizontal plane while allowing them to spin sideways for axial alignment with fastener. This holder will clamp from 1-1/8" (28.6mm) to 2.0" (50.8mm) diameter.

Tool-Holders/PS

