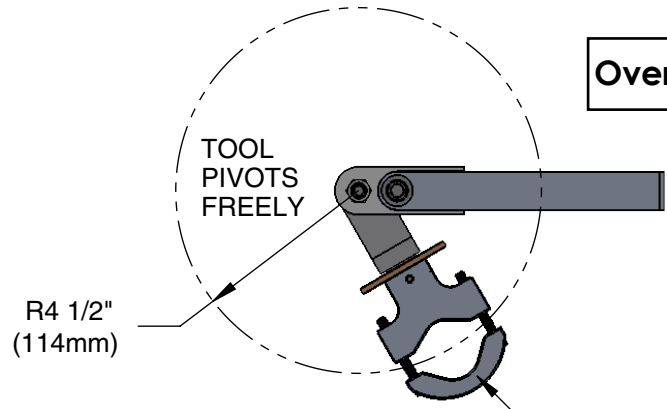
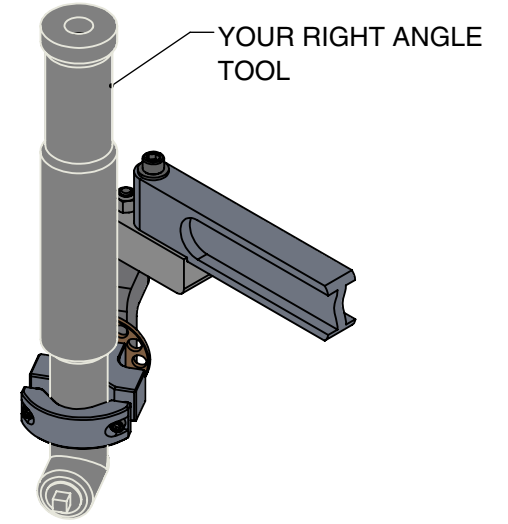


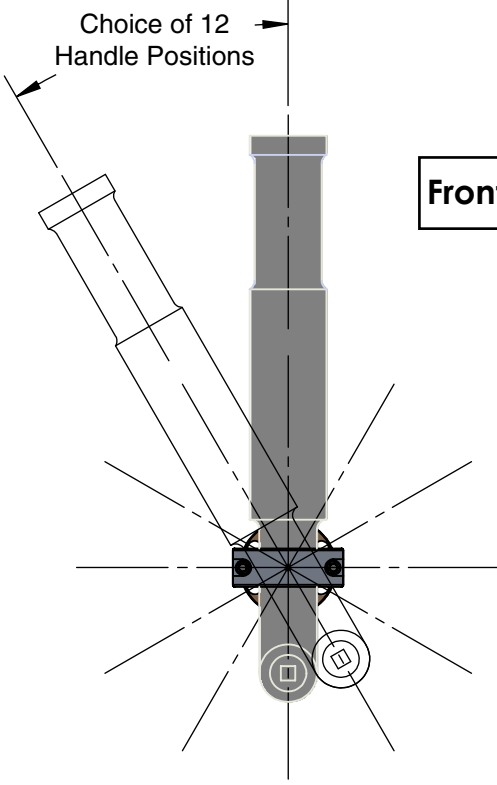
Overhead View



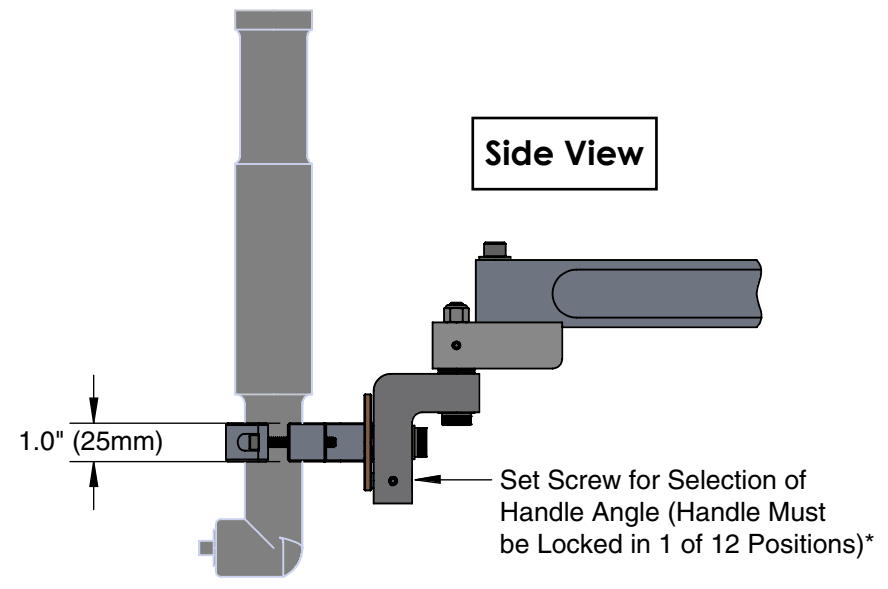
MINIMUM TOOL DIAMETER:  
1-1/8" (28.6mm)  
MAXIMUM TOOL DIAMETER:  
2.0" (50.8mm)



Front View



Side View



\*On Conventional Torque Arms, set screw is replaced with spring loaded thumb latch for quick adjustment



Model **RAH-TH**  
(For Smart Arms)

**Right Angle Horizontal Tool Holder**  
– For Horizontal Fastening

For Right Angle tools driving fasteners horizontally.  
Set screw allows 12 different handle positions.  
Clamps any tool body diameter from 1-1/8" to 2.0" (28.6 to 50.8mm).

