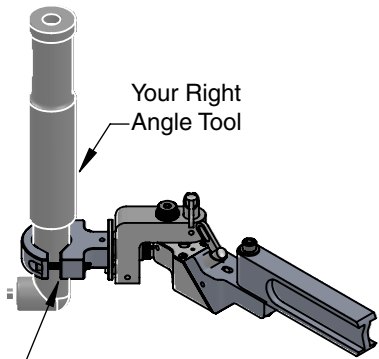
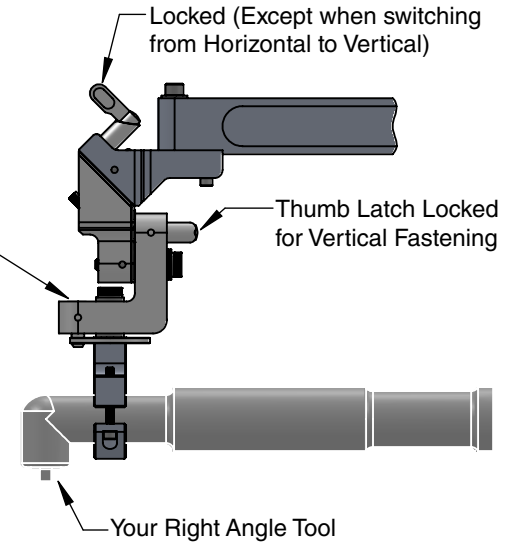


FRONT VIEW
VERTICAL POSITION

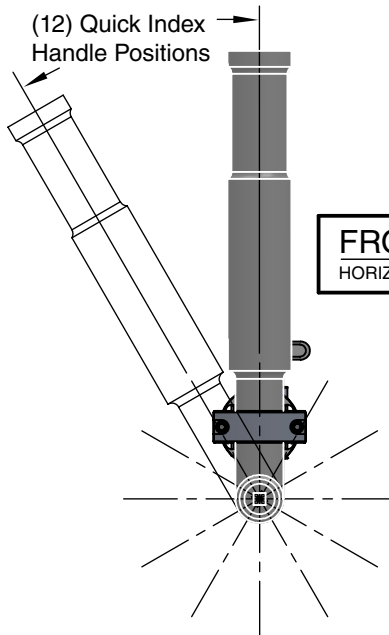
SIDE VIEW
VERTICAL POSITION

Set Screw Must be Locked in 1 of 12 Handle Angle Positions*



Your Right Angle Tool

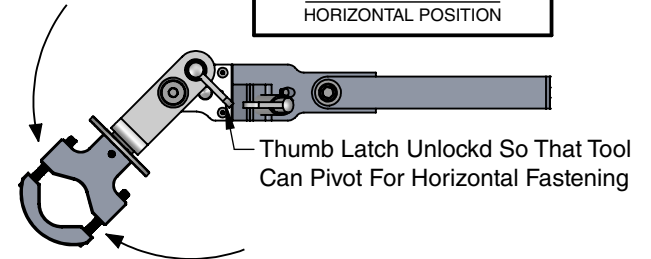
MINIMUM TOOL DIAMETER:
1-1/8" (28.6 mm)
MAXIMUM TOOL DIAMETER:
2" (50.8 mm)



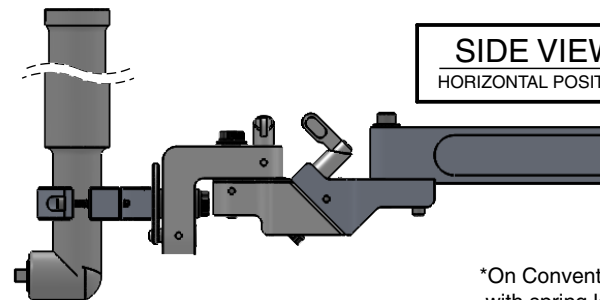
(12) Quick Index Handle Positions

FRONT VIEW
HORIZONTAL POSITION

OVERHEAD VIEW
HORIZONTAL POSITION



SIDE VIEW
HORIZONTAL POSITION



*On Conventional Torque Arms, set screw is replaced with spring loaded thumb latch for quick adjustment



Model **RAHV-TH**
(For Smart Arms)

Right Angle Horizontal and Vertical
– For Horizontal & Vertical Fastening

Tool-Holders/RAHV



For driving vertical fasteners and horizontal fasteners in the same work zone using the same right angle tool. Set screw allows 12 different handle positions. This tool holder weighs 3.75 lbs (1.7 Kg) so it is only compatible with ETA models 315, 815, 1015 and 1025.