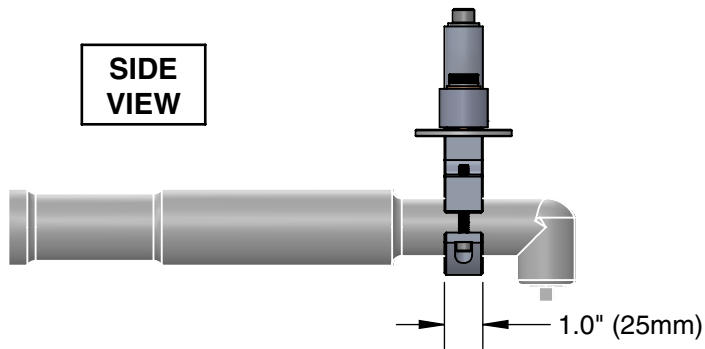
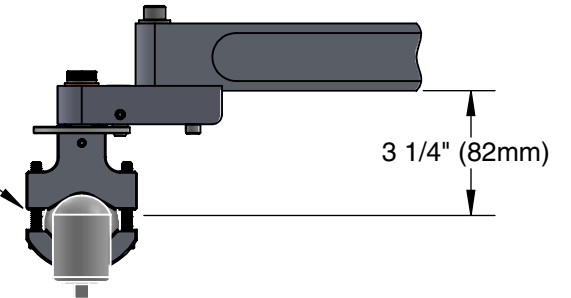


SIDE VIEW



MINIMUM TOOL DIAMETER:
1-1/8" (28.6mm)
MAXIMUM TOOL DIAMETER:
2.0" (50.8mm)

FRONT VIEW



*On Conventional Torque Arms, set screw is replaced with spring loaded thumb latch for quick adjustment



Model **RAV-TH**
(For Smart Arms)

Right Angle Vertical
– For Vertical Fastening

Tool-Holders/RAV



For Right Angle tools driving fasteners vertically, downward or upward.
Set Screw allows 12 different handle positions.
Holder will clamp from 1-1/8" (28.6mm) to 2.0" (50.8mm) diameter tools.