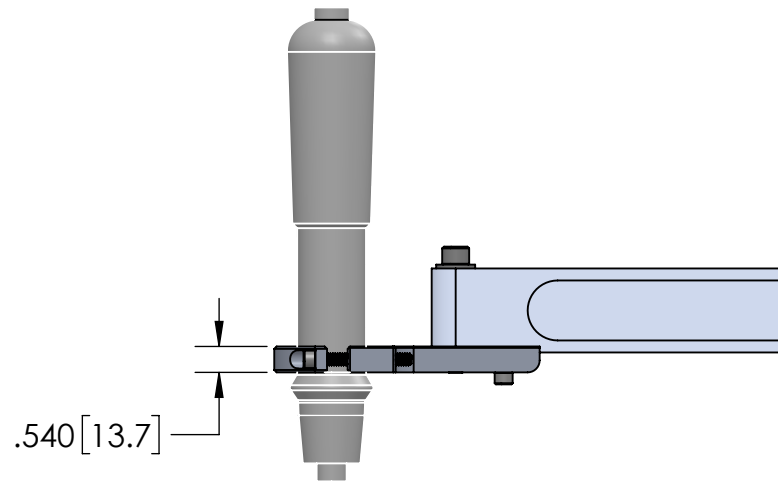
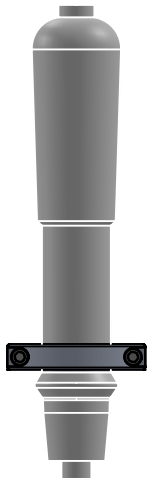
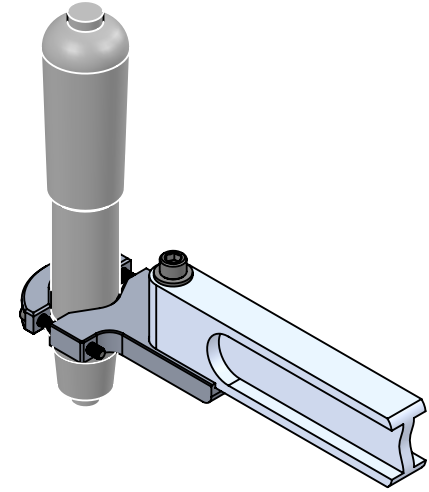
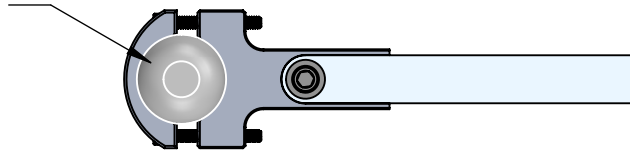


MINIMUM TOOL DIAMETER:  
1-1/8" (28.6mm)  
MAXIMUM TOOL DIAMETER:  
2.0" (50.8mm)



Model **TUV-TH**

Thin **U**niversal **V**ertical **T**ool **H**older

For fastening Vertically with any inline tool. Identical to UV except it is only 0.540" (13.7mm) thick for tools with less clamping area.  
TUV-TH weighs 0.5 lb (0.2 Kg)

Tool-Holders/TUV

