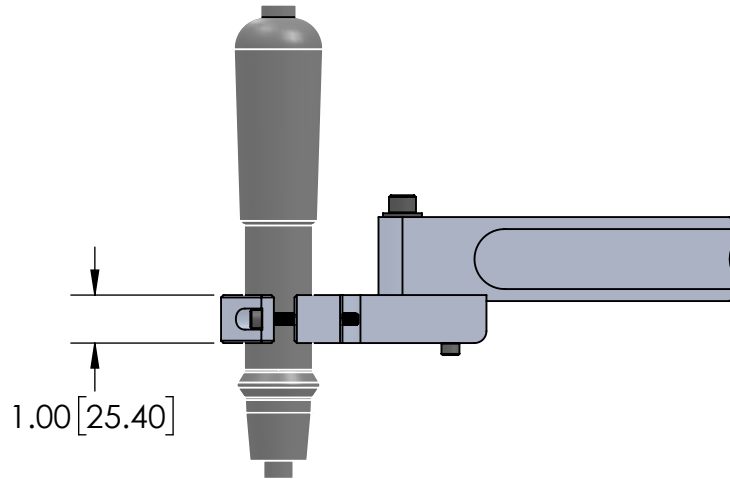
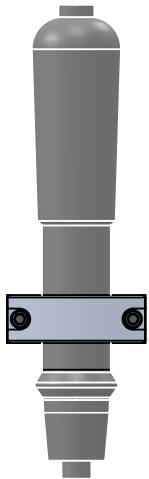
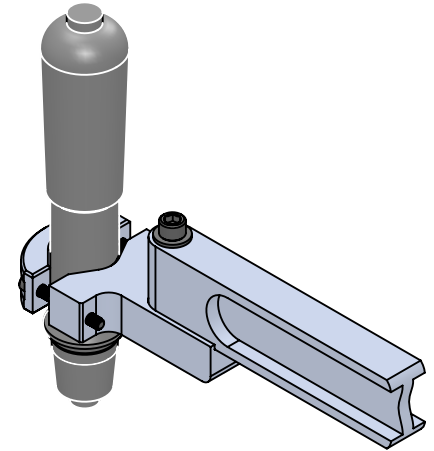
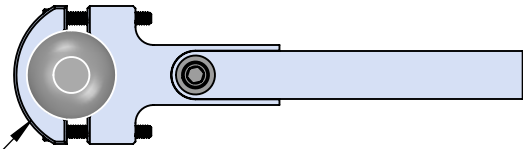


MINIMUM TOOL DIAMETER:  
1-1/8" (28.6mm)  
MAXIMUM TOOL DIAMETER:  
2.0" (50.8mm)



Model **UV-TH**

**Universal Vertical Tool Holder**

For fastening Vertically with any inline tool from 1-1/8" (28.6mm) to 2.0" (50.8mm) diameter. UV is 1.0" thick for stability. Weight 0.8 lbs (0.4 Kg)

Tool-Holders/UV

